



US00D719903S

(12) **United States Design Patent**  
**Sautter et al.**

(10) **Patent No.:** **US D719,903 S**

(45) **Date of Patent:** **\*\* Dec. 23, 2014**

(54) **BOAT CARRIER**

(71) Applicant: **Yakima Innovation Development Corporation**, Georgetown Grand Cayman (KY)

(72) Inventors: **Chris Sautter**, Portland, OR (US);  
**Jason A. Sagen**, Portland, OR (US)

(73) Assignee: **Yakima Innovation Development Corporation**, Georgetown, Grand Cayman (KY)

(\*\*) Term: **14 Years**

(21) Appl. No.: **29/444,704**

(22) Filed: **Feb. 1, 2013**

(51) **LOC (10) Cl.** ..... **12-16**

(52) **U.S. Cl.**

USPC ..... **D12/412**

(58) **Field of Classification Search**

USPC ..... D12/412, 406, 413, 414, 414.1; 293/3,  
293/100; 224/309-310, 315-316, 319,  
224/323-329, 400, 331, 321, 229.1, 316.4,  
224/924, 299.1; D6/552; 280/760-762,  
280/848, 727, 769; D3/304-306

See application file for complete search history.

(56) **References Cited**

**U.S. PATENT DOCUMENTS**

3,877,594 A \* 4/1975 Coakley ..... 414/462  
5,072,959 A \* 12/1991 Marullo ..... 280/47.331

D427,407 S \* 6/2000 Witt ..... D34/24  
D665,725 S \* 8/2012 Laverack et al. .... D12/412  
2010/0209191 A1 \* 8/2010 Griffin et al. .... 405/3  
2011/0068137 A1 \* 3/2011 Murray et al. .... 224/318

\* cited by examiner

*Primary Examiner* — Katrina A Betton

(74) *Attorney, Agent, or Firm* — Kolisch Hartwell, P.C.

(57) **CLAIM**

We claim the ornamental design for a boat carrier, as shown and described.

**DESCRIPTION**

FIG. 1 is a perspective view of a boat carrier constructed in accordance with the present invention.

FIG. 2 is a top plan view thereof.

FIG. 3 is a bottom plan view thereof.

FIG. 4 is a rear elevation view thereof.

FIG. 5 is a front elevation view thereof; and,

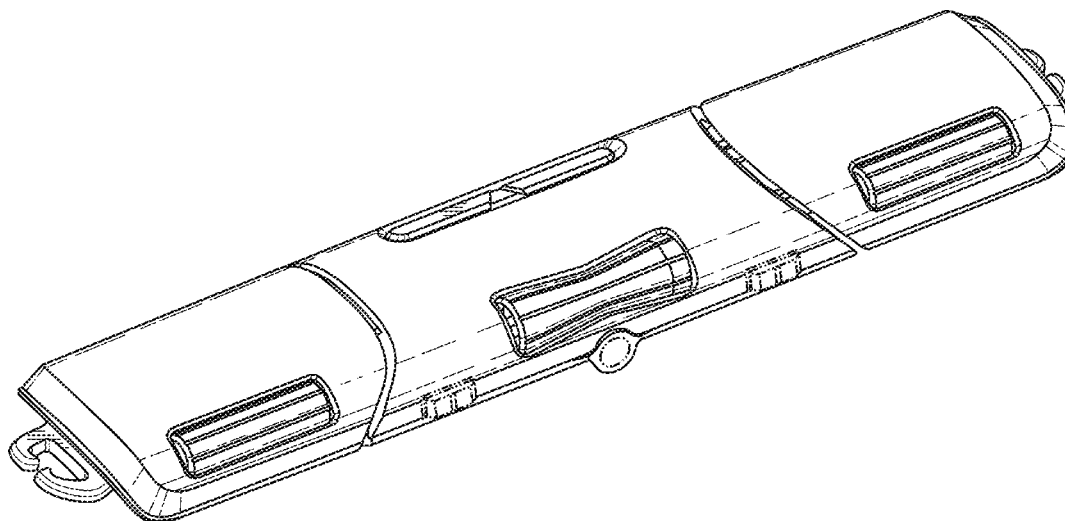
FIG. 6 is a right side elevation view thereof. The left side elevation view is a mirror image of the view in FIG. 6.

The dash-double-dot-dash line(s) shown in the drawings are for illustrative purposes only and form no part of the claimed design.

The stippling and shading lines shown in the drawing(s) represent the approximate three-dimensional contour of the design, and are not intended to indicate surface decoration.

Portions of the boat carrier that are not shown in the drawing(s) form no part of the claimed design.

**1 Claim, 3 Drawing Sheets**



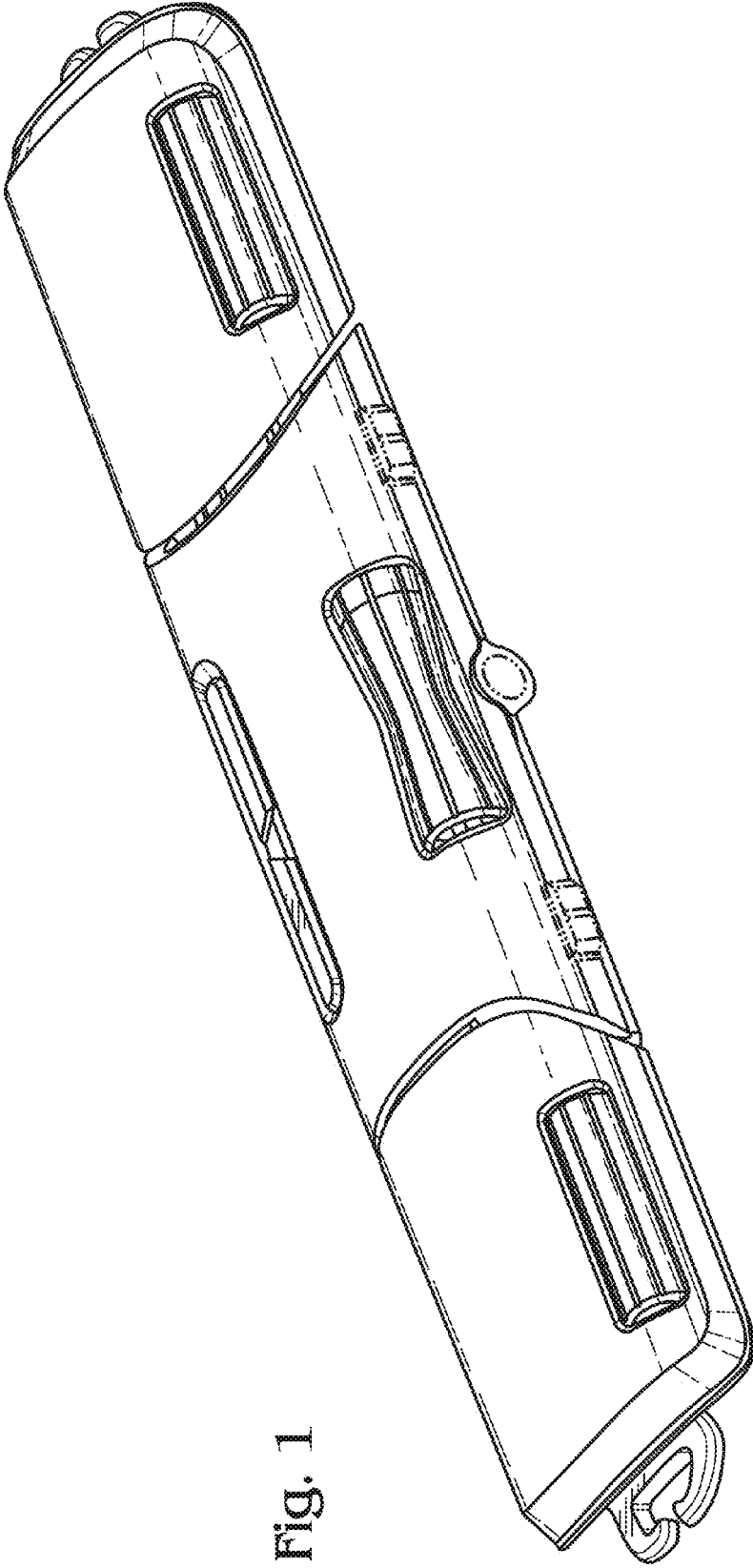


Fig. 1

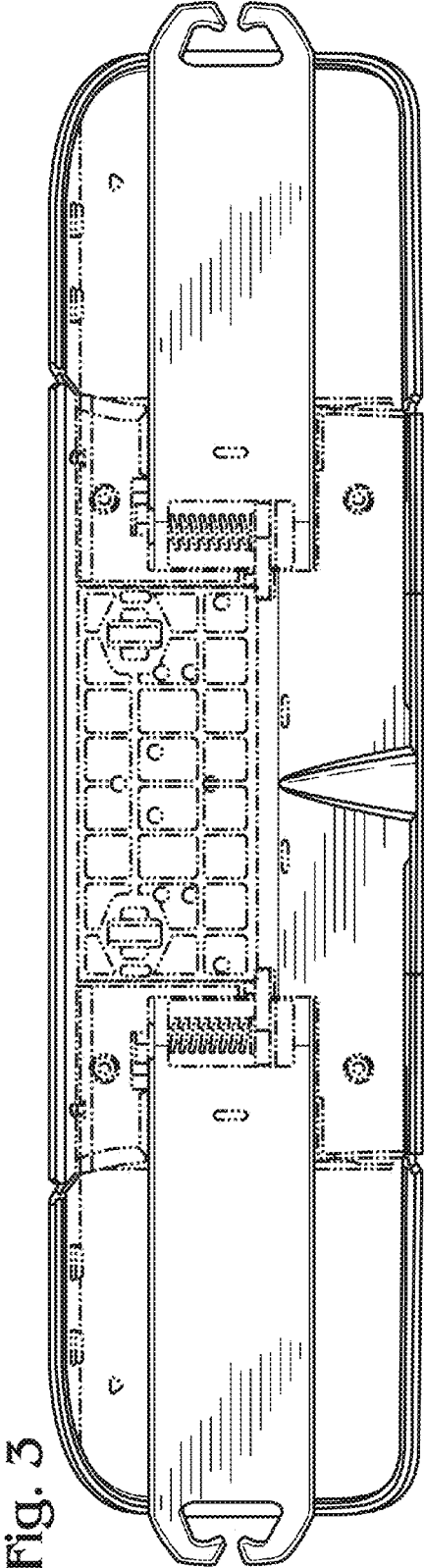
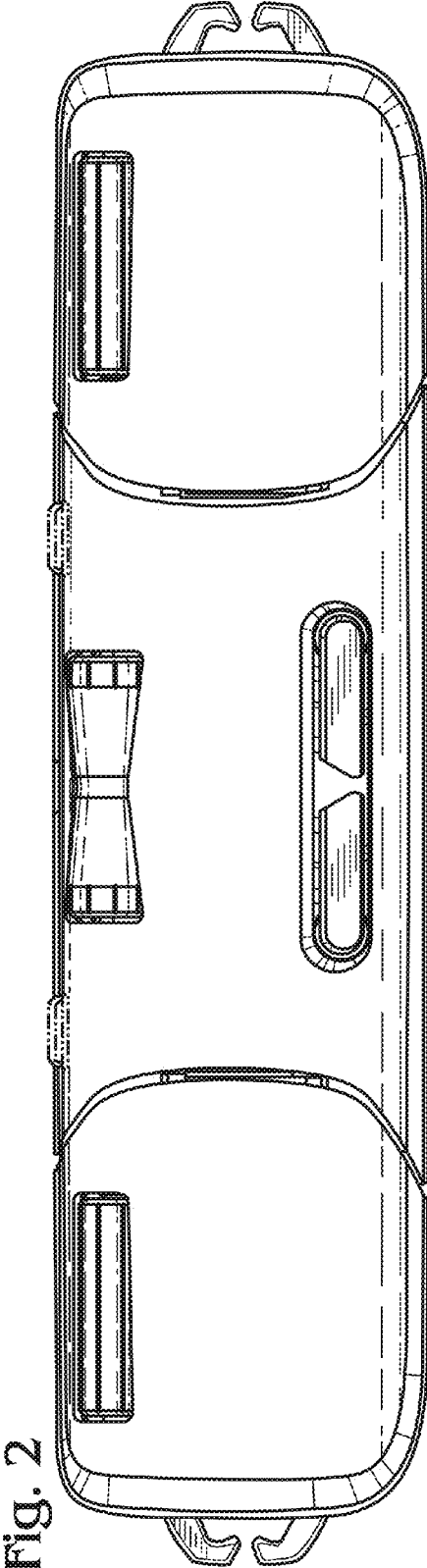


Fig. 4

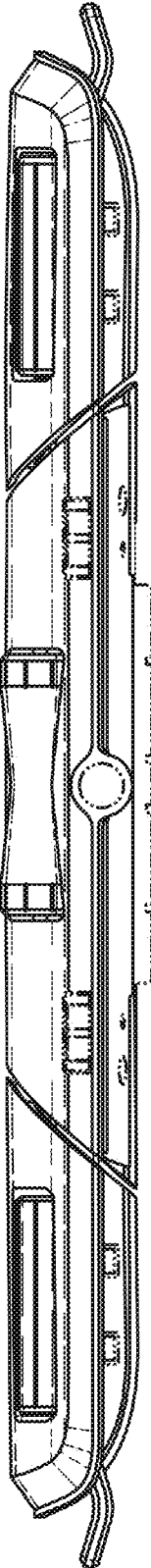


Fig. 5

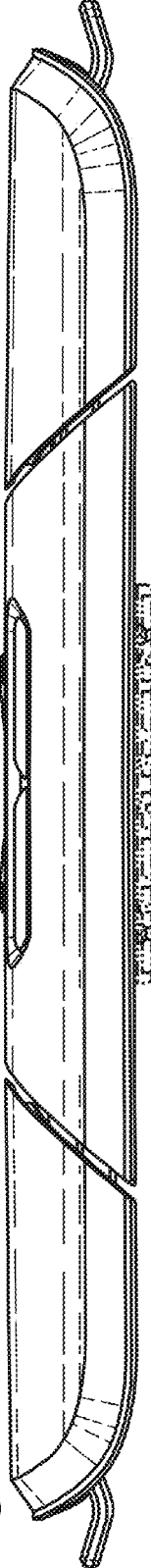


Fig. 6

