



US00D728685S

(12) **United States Design Patent**
Suzuki

(10) **Patent No.:** **US D728,685 S**

(45) **Date of Patent:** **** May 5, 2015**

(54) **COATING TRANSFER DEVICE**

(71) Applicant: **Tombow Pencil Co., Ltd.**, Tokyo (JP)

(72) Inventor: **Kazuhiko Suzuki**, Kawasaki (JP)

(73) Assignee: **Tombow Pencil Co., Ltd.**, Tokyo (JP)

(**) Term: **14 Years**

(21) Appl. No.: **29/478,371**

(22) Filed: **Jan. 3, 2014**

(30) **Foreign Application Priority Data**

Jul. 25, 2013 (JP) 2013-016955

(51) **LOC (10) Cl.** **19-02**

(52) **U.S. Cl.**

USPC **D19/69**

(58) **Field of Classification Search**

USPC D19/70, 69, 36, 68; 242/588.6, 588.2;
225/77, 6, 56, 39, 26, 25, 19, 11;
206/411; 156/577, 527, 523; D8/354,
D8/382, 385, 499

See application file for complete search history.

(56) **References Cited**

U.S. PATENT DOCUMENTS

D467,617 S * 12/2002 Soetewey D19/69
(Continued)

FOREIGN PATENT DOCUMENTS

JP 1224115 S 11/2004
(Continued)

OTHER PUBLICATIONS

Jan. 20, 2014, Decision of Design Registration from the Korean Patent Office in Korean Patent Application No. 30-2013-0046128, which shares the same priority as this U.S. application.

(Continued)

Primary Examiner — Austin Murphy

(74) *Attorney, Agent, or Firm* — Kolisch Hartwell, P.C.

(57) **CLAIM**

What is claimed is the ornamental design for a coating transfer device, as shown and described.

DESCRIPTION

FIG. 1 is a perspective view of the bottom, front, and left sides of a coating transfer device according to a first embodiment of the present invention having a cap coupled to the bottom of the device body.

FIG. 2 is a perspective view of the top, rear, and right sides of the embodiment of FIG. 1.

FIG. 3 is a right side view of the embodiment of FIG. 1.

FIG. 4 is a rear view of the embodiment of FIG. 1.

FIG. 5 is a left side view of the embodiment of FIG. 1.

FIG. 6 is a front view of the embodiment of FIG. 1.

FIG. 7 is a bottom view of the embodiment of FIG. 1.

FIG. 8 is a top view of the embodiment of FIG. 1.

FIG. 9 is a perspective view of the bottom, front, and left sides of a coating transfer device according to a second embodiment of the present invention.

FIG. 10 is a right side view of the embodiment of FIG. 9.

FIG. 11 is a rear view of the embodiment of FIG. 9.

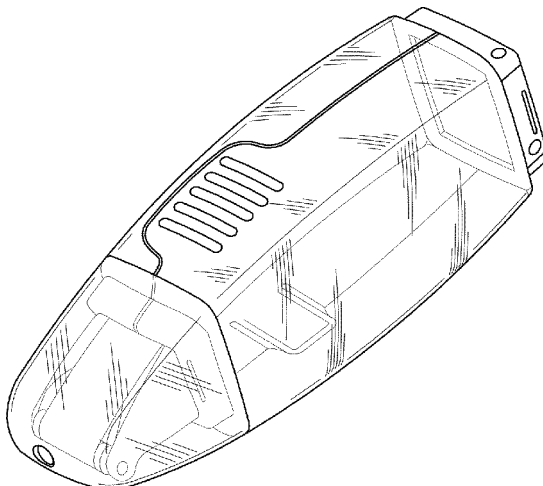
FIG. 12 is a left side view of the embodiment of FIG. 9.

FIG. 13 is a front view of the embodiment of FIG. 9; and,

FIG. 14 is a perspective view of the bottom, left, and rear sides of a coating transfer device according to a third embodiment of the present invention having the cap coupled to the top of the device body.

The broken lines shown in the drawings are for illustrative purposes only and form no part of the claimed design.

1 Claim, 5 Drawing Sheets



(56)

References Cited

U.S. PATENT DOCUMENTS

D524,373 S 7/2006 Kimura
D532,457 S * 11/2006 Chen D19/69
D542,845 S 5/2007 Suzuki
D542,846 S 5/2007 Suzuki
D543,238 S 5/2007 Suzuki
D543,239 S 5/2007 Suzuki
D543,240 S 5/2007 Suzuki
D559,322 S 1/2008 Kobayashi
D574,431 S 8/2008 Kouda
D574,432 S 8/2008 Kouda
D574,892 S 8/2008 Kouda
D577,771 S 9/2008 Kouda
D580,984 S 11/2008 Kouda
D581,466 S * 11/2008 Lin D19/69
D588,644 S 3/2009 Kobayashi
D595,774 S 7/2009 Kouda
D619,174 S * 7/2010 Yeh D19/69
D619,655 S 7/2010 Suzuki
D620,526 S 7/2010 Suzuki
D620,527 S 7/2010 Suzuki
D620,528 S 7/2010 Suzuki
D623,231 S 9/2010 Suzuki

D636,025 S 4/2011 Kouda
D640,321 S 6/2011 Kuronuma
D640,322 S 6/2011 Kouda
D640,742 S 6/2011 Booty, Jr.
D650,860 S * 12/2011 Wu D19/69
D659,761 S * 5/2012 Matsushita et al. D19/69
D660,359 S * 5/2012 Ariga et al. D19/69
D661,353 S * 6/2012 Ariga D19/69
D665,448 S * 8/2012 Ariga et al. D19/67

FOREIGN PATENT DOCUMENTS

JP 1359197 S 5/2009
KR 300256291 S 4/2000
TW D124830 S 9/2008

OTHER PUBLICATIONS

May 17, 2014, Examination Decision and Search Report from the Taiwan Patent Office in Taiwanese Patent Application No. 102306304, which shares the same priority as this U.S. application.
May 10, 2014, Examination Report from Japanese Patent Office, in Japanese Design Application No. D2013-16955, which is the priority application for this U.S. application.

* cited by examiner

Fig. 1

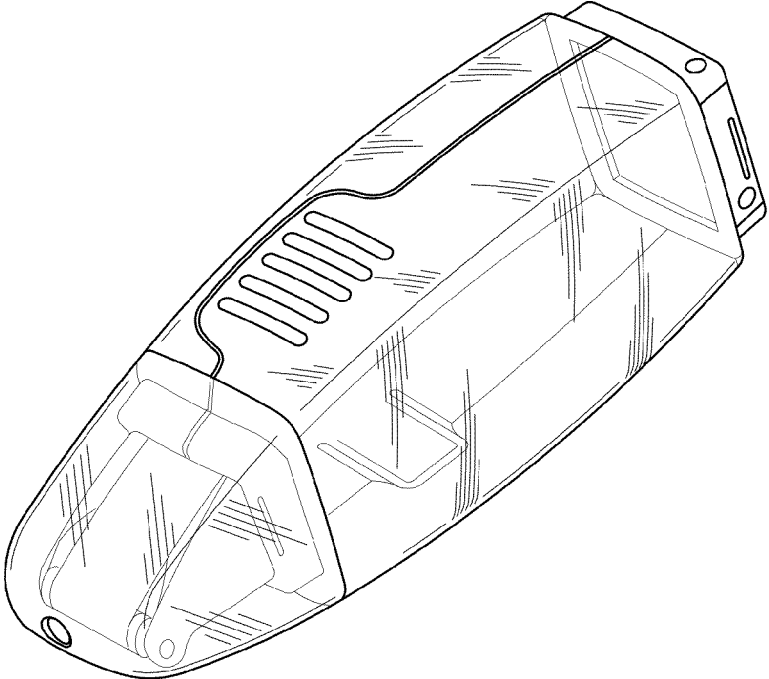


Fig. 2

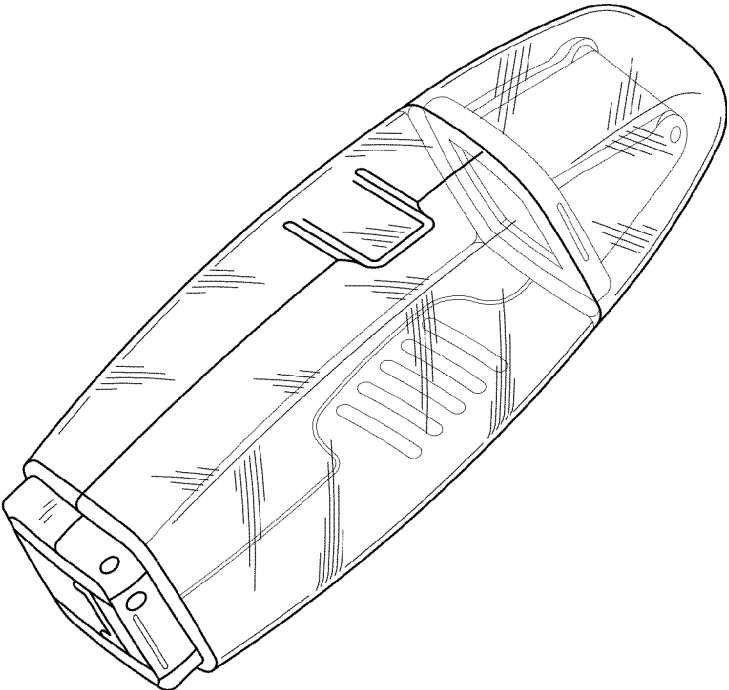


Fig. 3

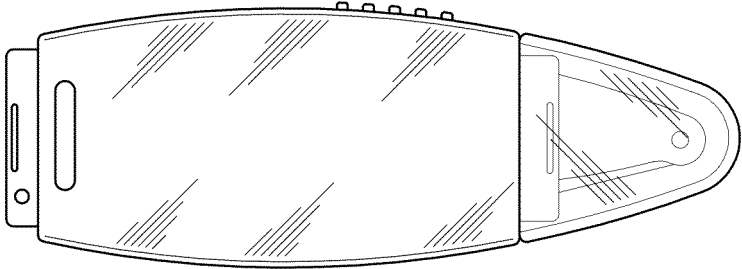


Fig. 4

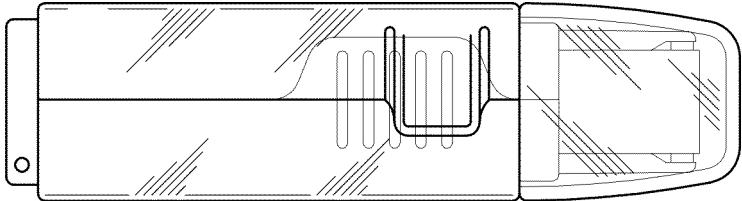


Fig. 5

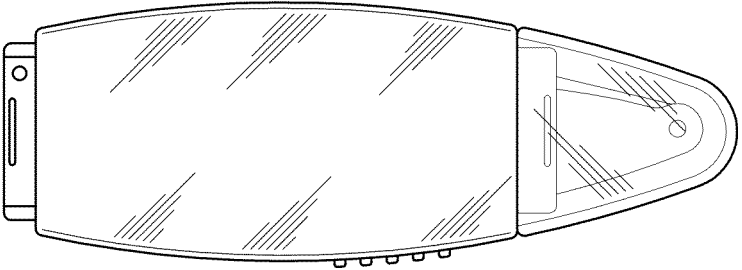
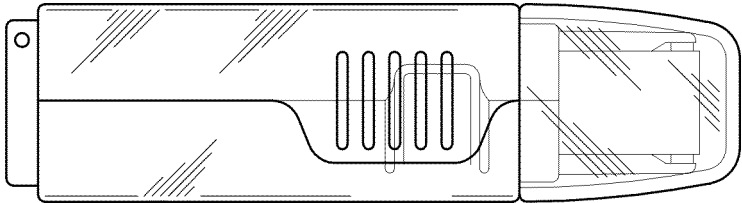


Fig. 6



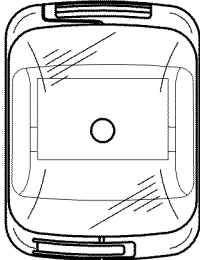


Fig. 7

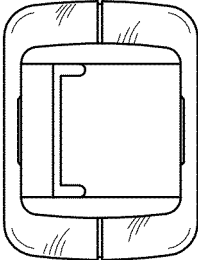


Fig. 8

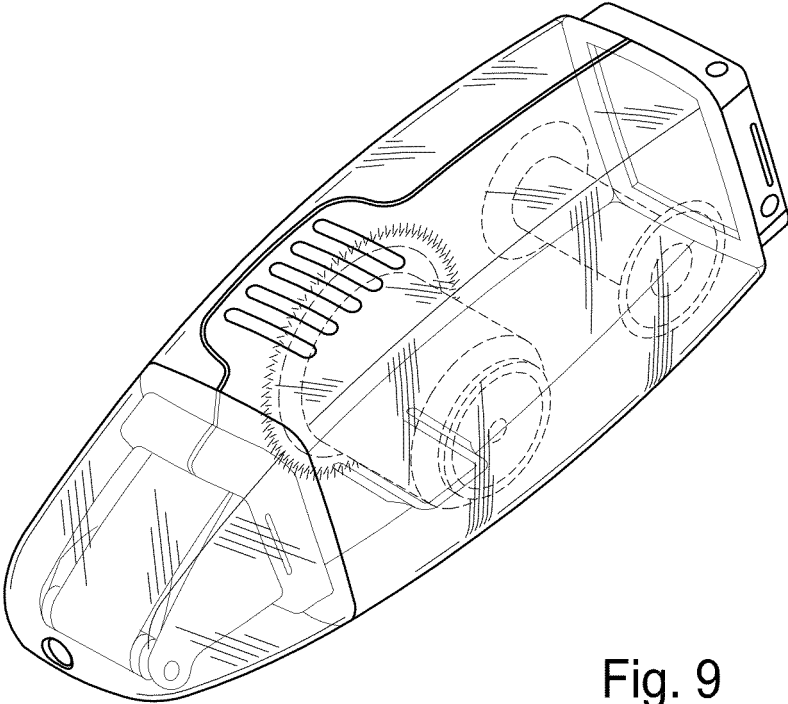


Fig. 9

Fig. 10

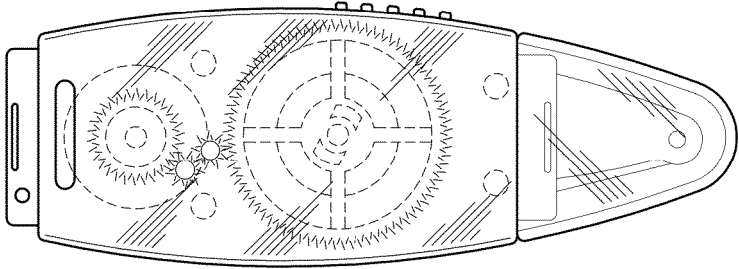


Fig. 11

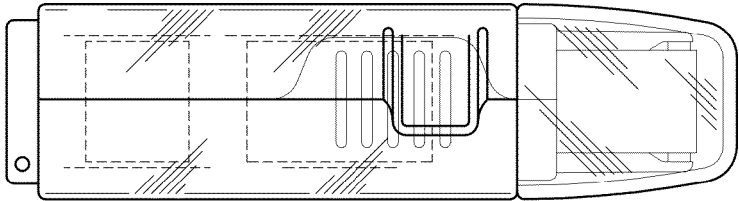


Fig. 12

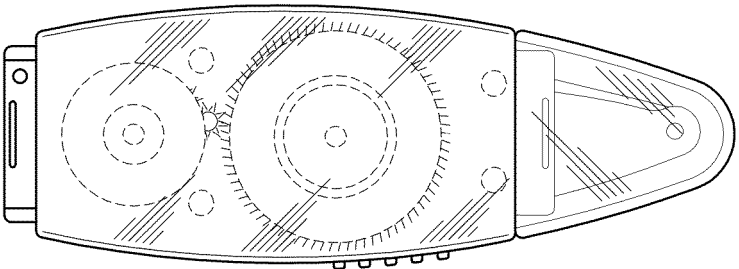
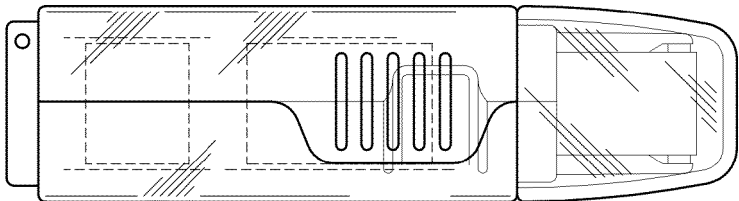


Fig. 13



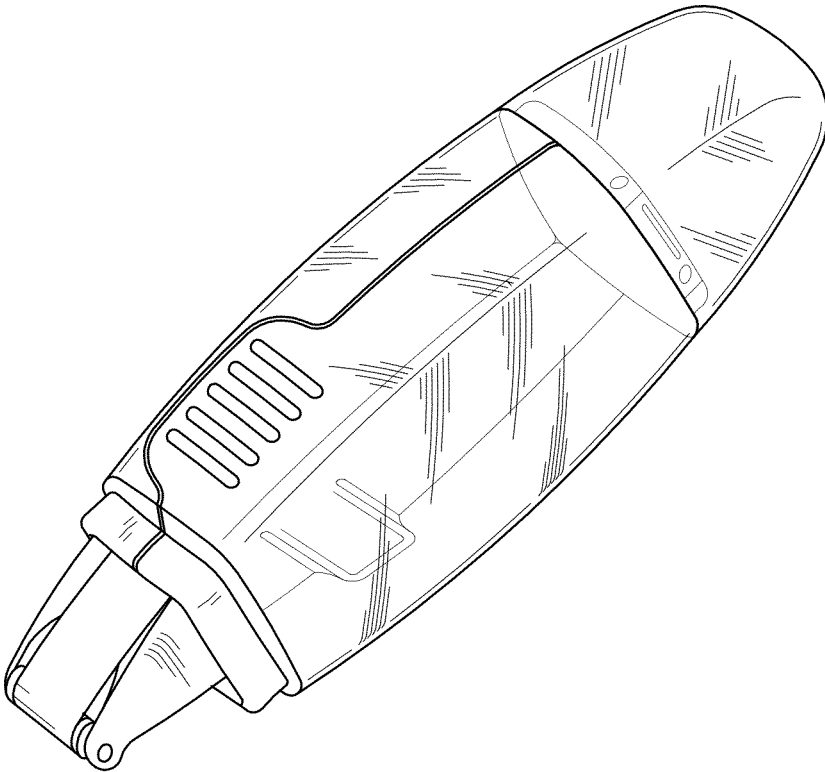


Fig. 14